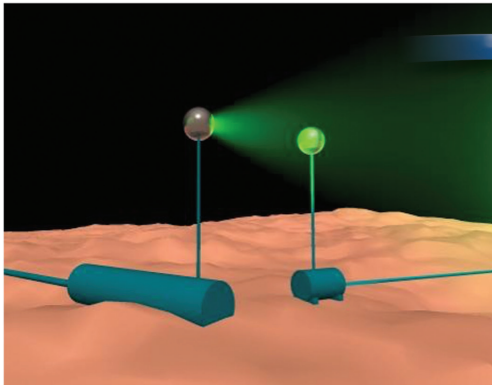


# LightSpeed™ U10



The LightSpeed™ U10 units are the latest generation of the LightSpeed™ optical communication system, incorporating the latest technology in a handheld package. The eye-safe blue light LED used by U10 allows communications between units at distances up to 300 meters. The units function as an Ethernet link to a remote computing device or to another system via a standard Ethernet connection. In addition to data communication, U10 provide full-duplex voice communication on a separate channel. In situations where a hardware connection is unavailable or undesirable, U10 are a perfect deep water alternative to cables.

- Most secure communication technology on the market
- Bi-directional data, voice, and video
- Works in low turbidity mediums
- Wide field-of-view for the ease of mounting
- Mounted or handheld application
- Full recovery TCP/IP, UDP, RCP links

## Specifications

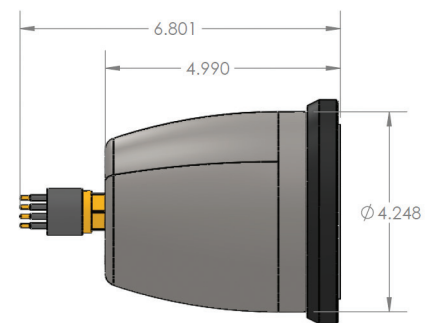
<b>Operating Distance</b>	Up to 100 m
<b>Depth Rating</b>	Up to 10,000 m
<b>FOV</b>	Up to 20°
<b>Audio Connection</b>	Any COTS
<b>Size</b>	Length (w/connector) x Diameter: 6.8 x 4.2 in
<b>Weight</b>	1,700 g
<b>Mounting</b>	SIDUS lighting mount
<b>Connector</b>	SubConn® Power Ethernet Circular – 13 pins; DBH13M
<b>Power Supply</b>	5V DC, 5W
<b>Operating Temperature</b>	-20° C to +60° C
<b>Storage Temperature</b>	-40° C to +80° C



Back view

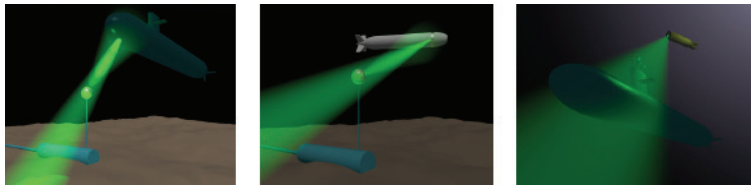
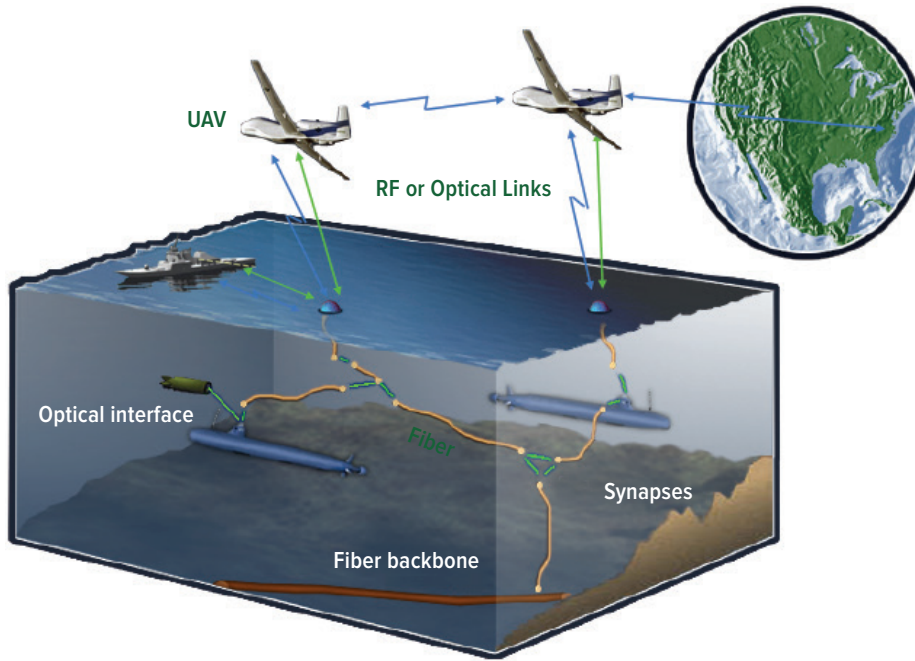


Optional housing



Dimensional drawing

# OceanLink



U10 uses

