

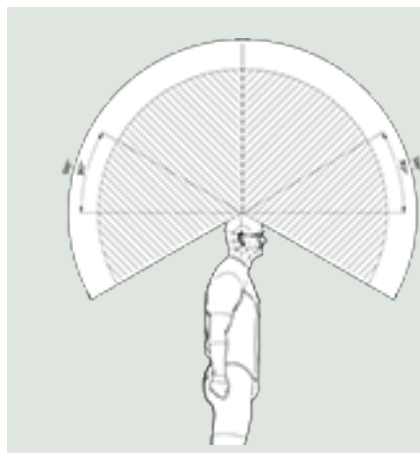


D3™ Laser Detector

Personal/Drone Hemispheric Laser Warning

The D3™ laser warning system enhances safety and survivability in today's battlefield environment by notifying its wearer of any commercial or military targeting laser emissions. Four unique wide-band detectors (750 nm to 1700 nm) detect laser signals in a 360° Az by 120° El degree field and selectable audio, visual, and/or tactile feedback notify the wearer of a detection. Laser warnings can be easily integrated with ATAK or other equipment via USB-C. False detections are minimized while maintaining an ultra-fast response time of less than 50 milliseconds. The D3™ system can be worn anywhere on the body; typically, on the chest or back or on top of a helmet. D3™ can also be used as a laser warning system on top of ground robotics or vehicle platforms as well as bottom mounted on a UAV.

Detection Range	up to 1 km for commercial LRF up to 2 km for military LRF
Field of View	360° horizontal (Az) and 120° vertical (El)
Frequency Range Detection	750 nm to 1700 nm
Detection Direction	Segments in Az direction
Detection Notification	USB C port
Power	USB C port 5V
Size	79 x 53 x 26 mm
Weight	62 g
Mounting	Velcro strap to helmet, or mounting screws



BENEFITS AT A GLANCE

D3™ system is designed as a body-mounted aid to warn the user of a laser event alarms caused by:

- Laser rangefinder systems, both commercial and military
- UAV (drone) ranging or targeting equipment
- Handheld and rifle mounted NVG illuminators and pointers
- Variety of visible and invisible laser markers and designators used in the battlefield environment
- Mitigate friendly fire incidents by alerting the user of a laser illumination

